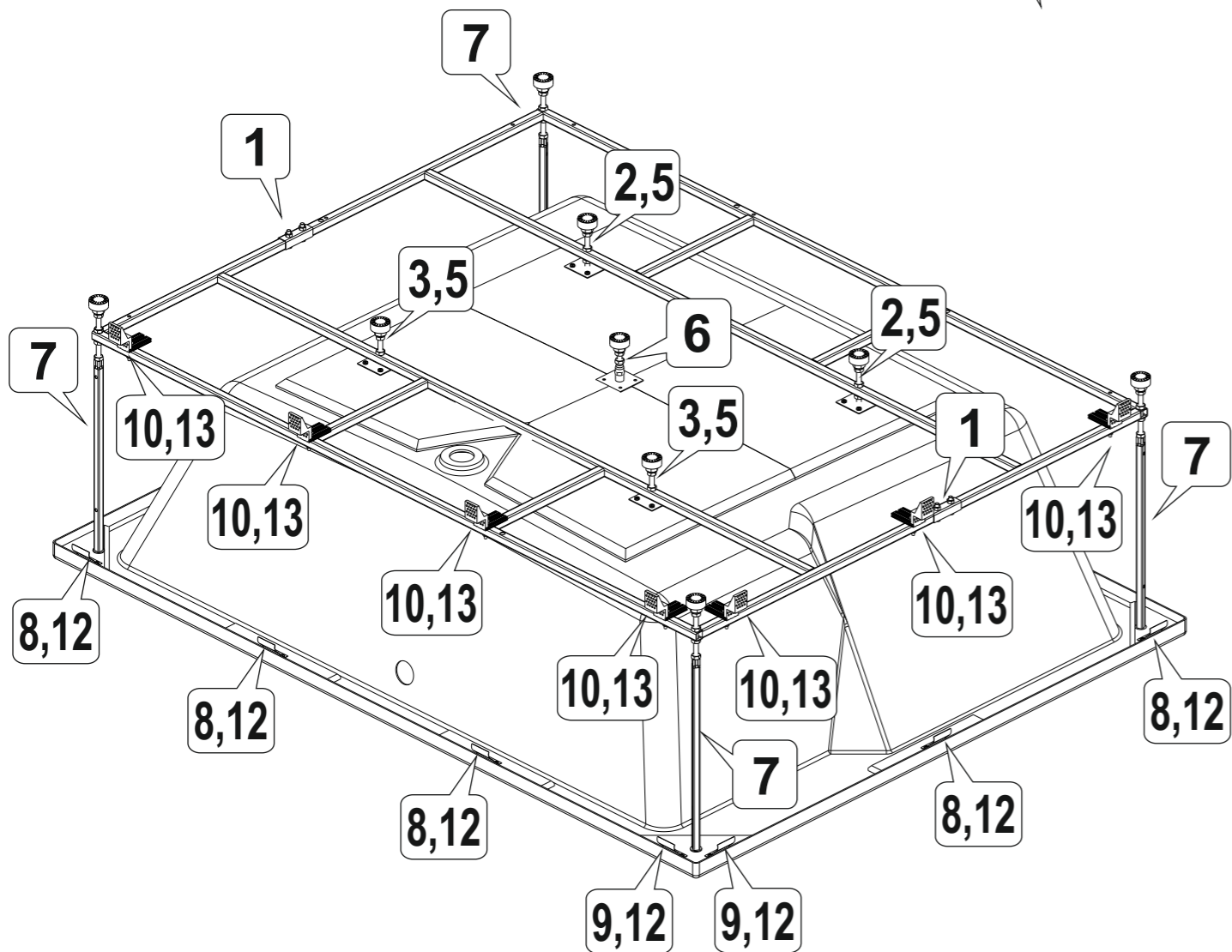
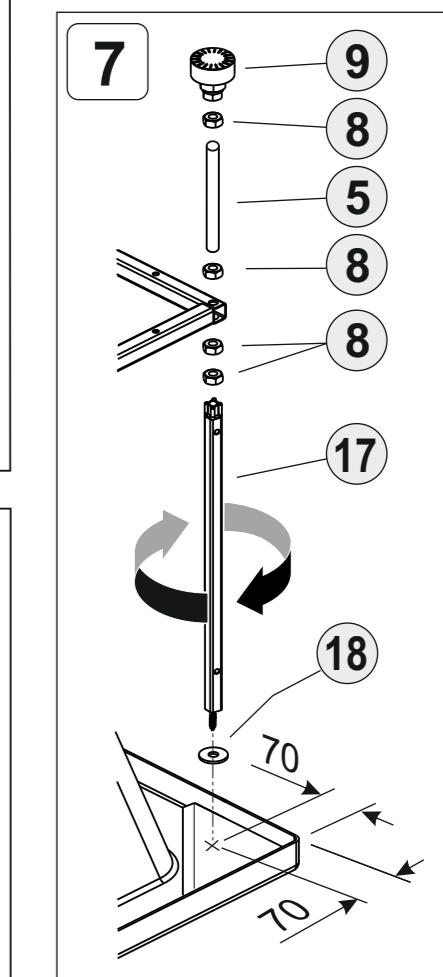
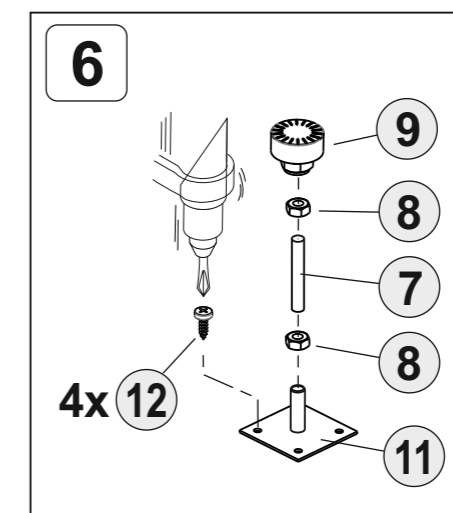
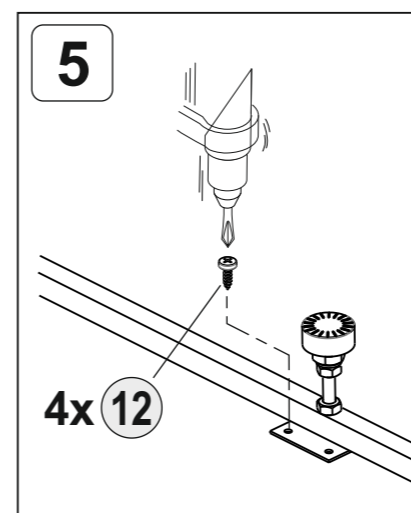
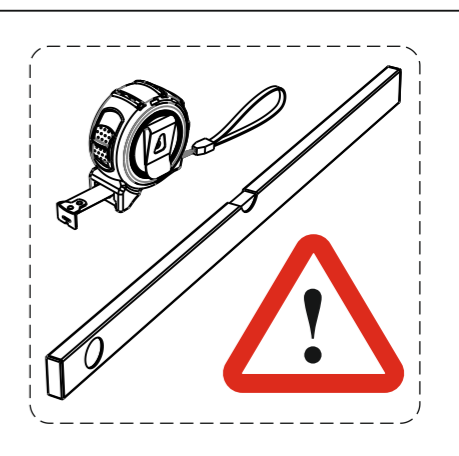
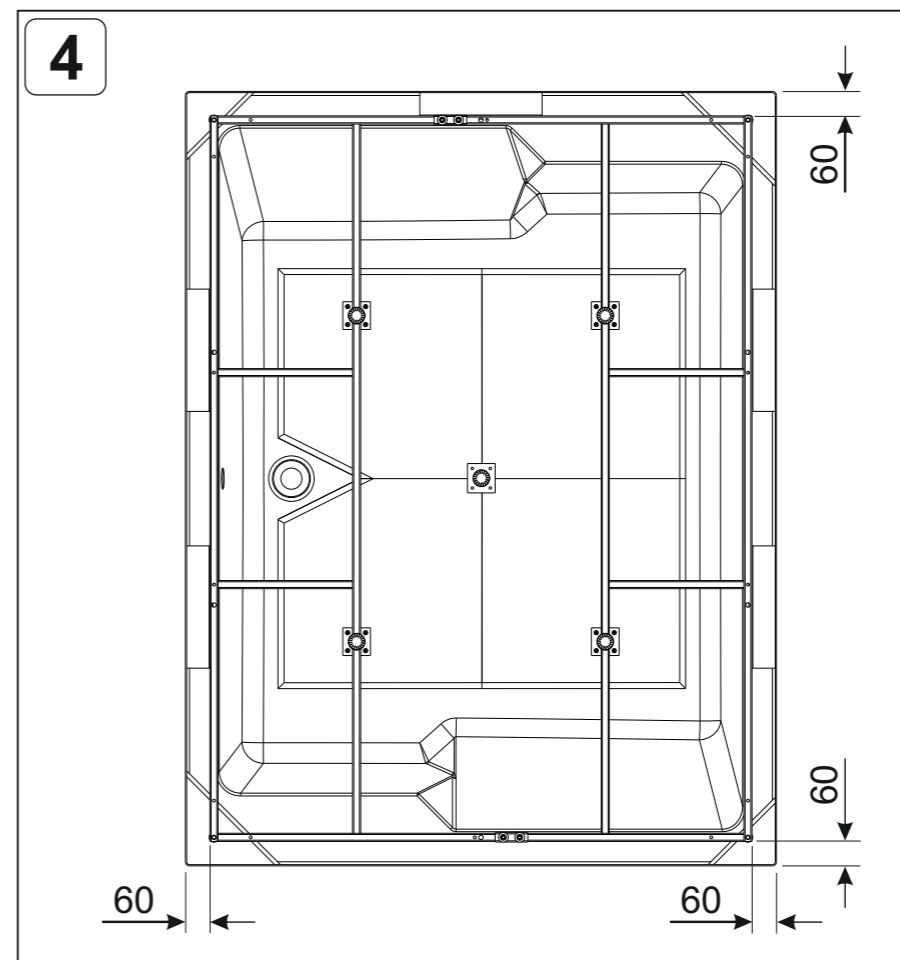
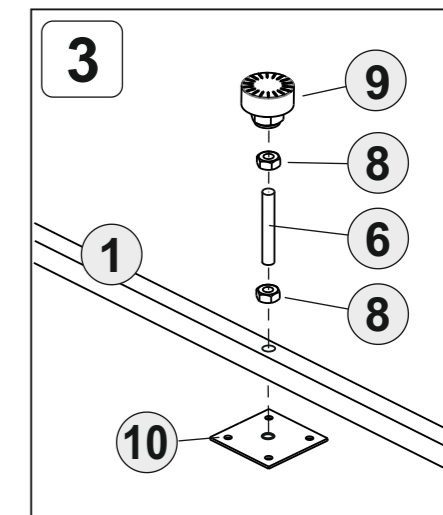
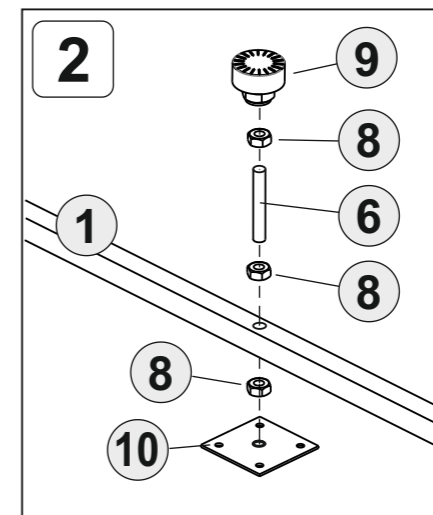
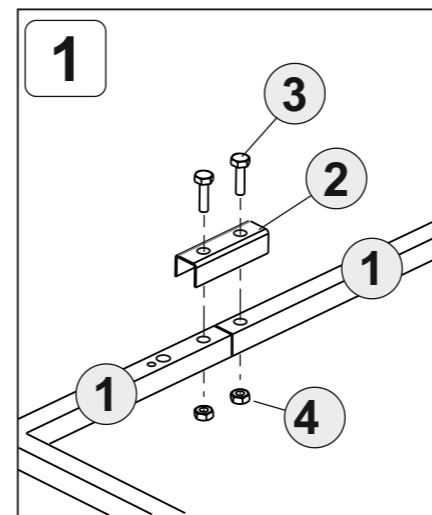
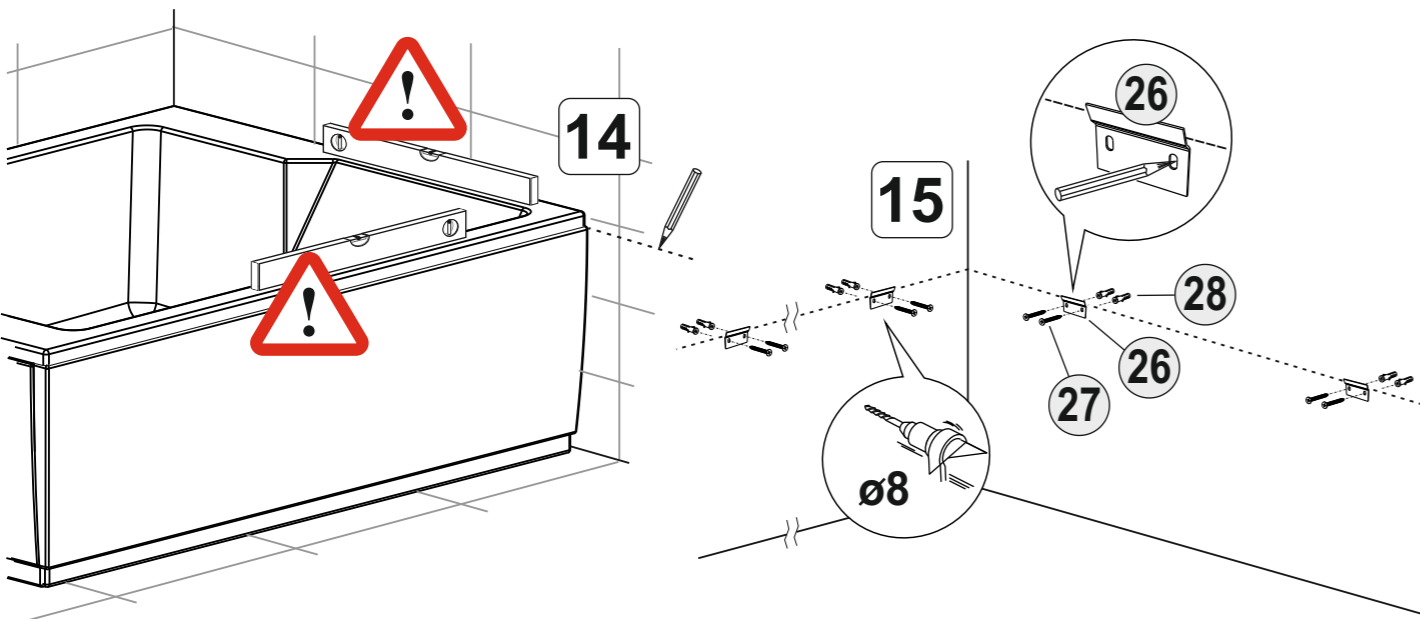
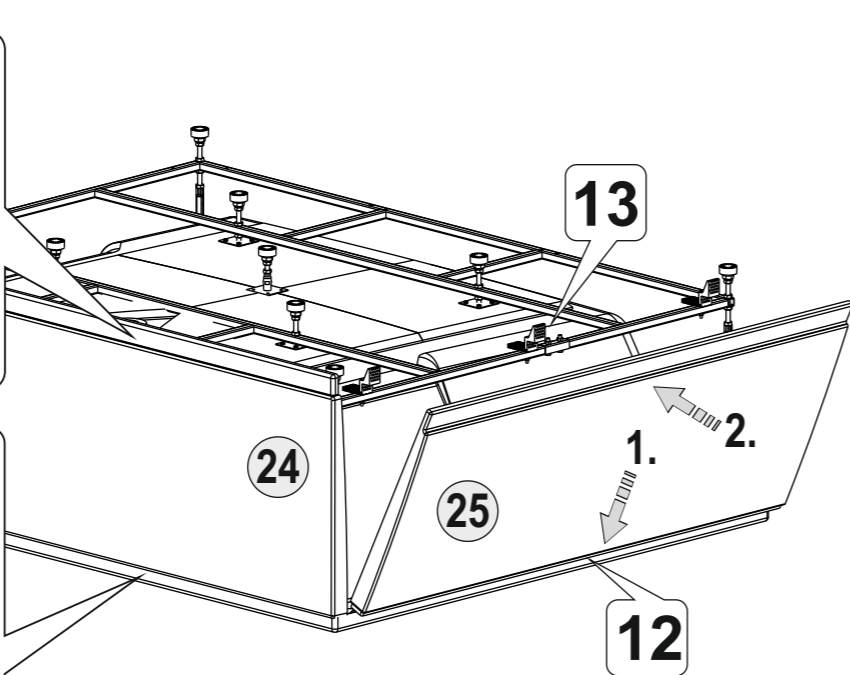
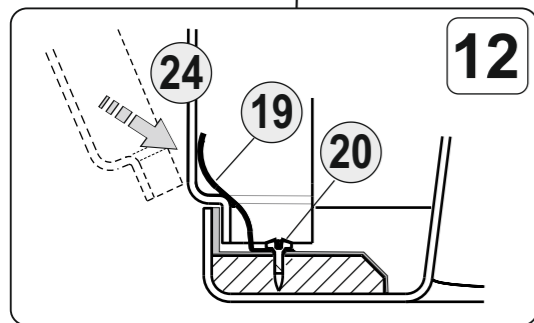
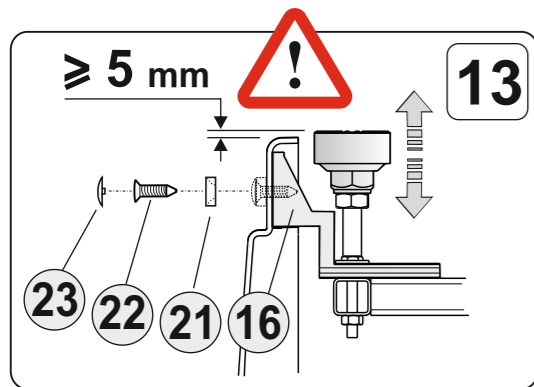
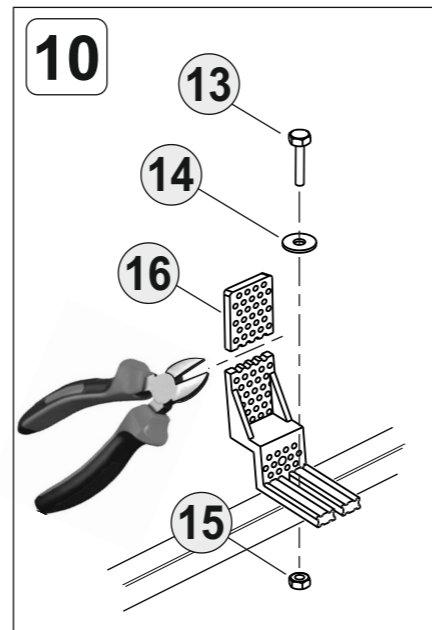
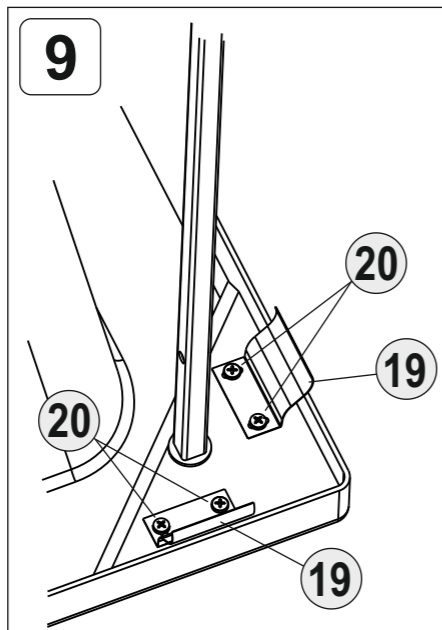
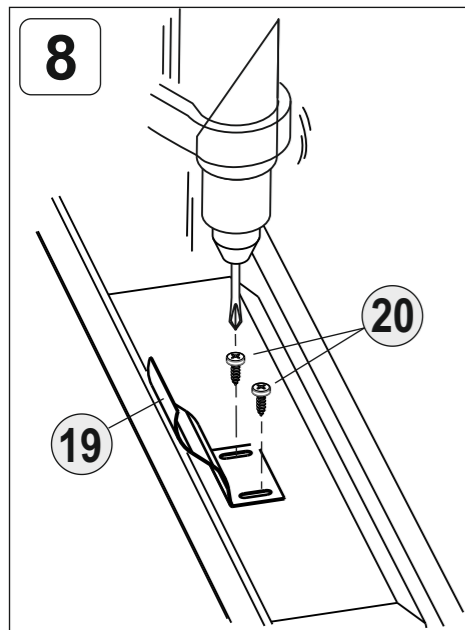


ASSEMBLY PARTS (x) AND WORKING PROCEDURES (x)



- | | |
|---|--|
| ① Metal frame (2 pcs.) | ⑮ Nut M6 (7 pcs.) |
| ② Metal frame connector (2 pcs.) | ⑯ Plastic panel holder (7 pcs.) |
| ③ Bolt M8x35 (4 pcs.) | ⑰ Metal column with screw L=460 mm (4 pcs.) |
| ④ Nut M8 (4 pcs.) | ⑱ Washer M8 DIN 9021 (4 pcs.) |
| ⑤ Thread rod M10x150 (4 pcs.) | ⑲ Elastic panel holder (7 pcs.) |
| ⑥ Thread rod M10x100 (4 pcs.) | ⑳ Screw 3,9x13 mm (14 pcs.) |
| ⑦ Thread rod M10x80 (1 pce.) | ㉑ PVC washer (7 pcs.) |
| ⑧ Nut M10 (28 pcs.) | ㉒ Screw 4,8x19 mm (7 pcs.) |
| ⑨ Adjustable feet L=35 mm (9 pcs.) | ㉓ PVC cover (7 kom.) |
| ⑩ Assembly plate with thread 70x70/M10 (4 pcs.) | ㉔ Front panel Plane Duo (1 pce.) |
| ⑪ Assembly plate with column L=40 (1 pce.) | ㉕ Side panel Plane Duo (1 pce.) |
| ⑫ Screw for wood 5x15 mm (20 pcs.) | ㉖ Wall holder (4 pcs.) |
| ⑬ Bolt M6x40 (7 pcs.) | ㉗ Screw 5x50 mm (8 pcs.) |
| ⑭ Washer M6 DIN 9021 (7 pcs.) | ㉘ Plastic wall plug \varnothing 8x40 mm (8 pcs.) |





AQUAESTIL

METAL FRAME FOR PLANE DUO

ASSEMBLY INSTRUCTIONS

